



# SCA-401

## PROJECTION SPEAKERS

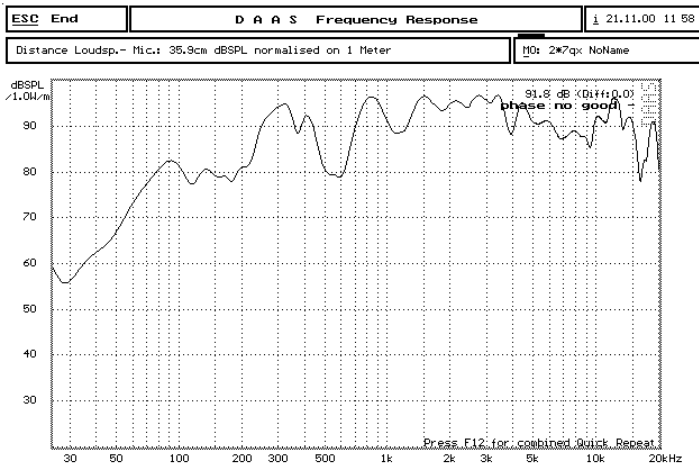


Projection speaker with aluminium enclosure covered with resin paint. SCA-401, projection speaker is meant for indoor use and it is a bi-directional speaker.

### SPECIFICATION

Model	SCA-401	Type	Bi-Directional
Rated power output	5W/10W/20W	Enclosure Material	Aluminium
Line Voltage	70/100V	IP Rating	IP44
Sensitivity	90dB	Dispersion Angel	100 degrees
Frequency Response	150Hz - 14kHz	Baffle Size	DIA 170 x 252mm
Line Load Resistance	589 ohms	Weight	3.4 kg

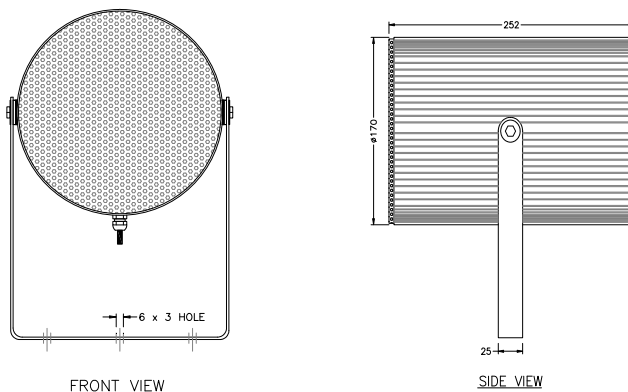
### SPL vs. FREQUENCY



### SPEAKER TAPPING

Tapping	
Cable Colour	Power
Green/Blue	5 W
Yellow/Blue	10 W
Red/Blue	20 W

### TECHNICAL DRAWING



COMTROL Asia reserves the right to alter specifications without notice

REV 09-08 2.0.0

#### COMTROL INTERNATIONAL INC

PO Box 306,  
 500 Pennsylvania Ave  
 Irwin, PA 15642  
 Phone: +1 (724) 864-3800, Fax: +1 (724) 864 9358  
 www.comtrol-corp.com

#### COMTROL ASIA PTE LTD

51, Ayer Rajah Crescent, #03-03  
 Ayer Rajah Industrial Estate  
 Singapore 139948  
 Phone: +65 63146880, Fax: +65 63144232  
 www.comtrolasia.com